

ESTG

João Marcelino

Examinador de Patentes



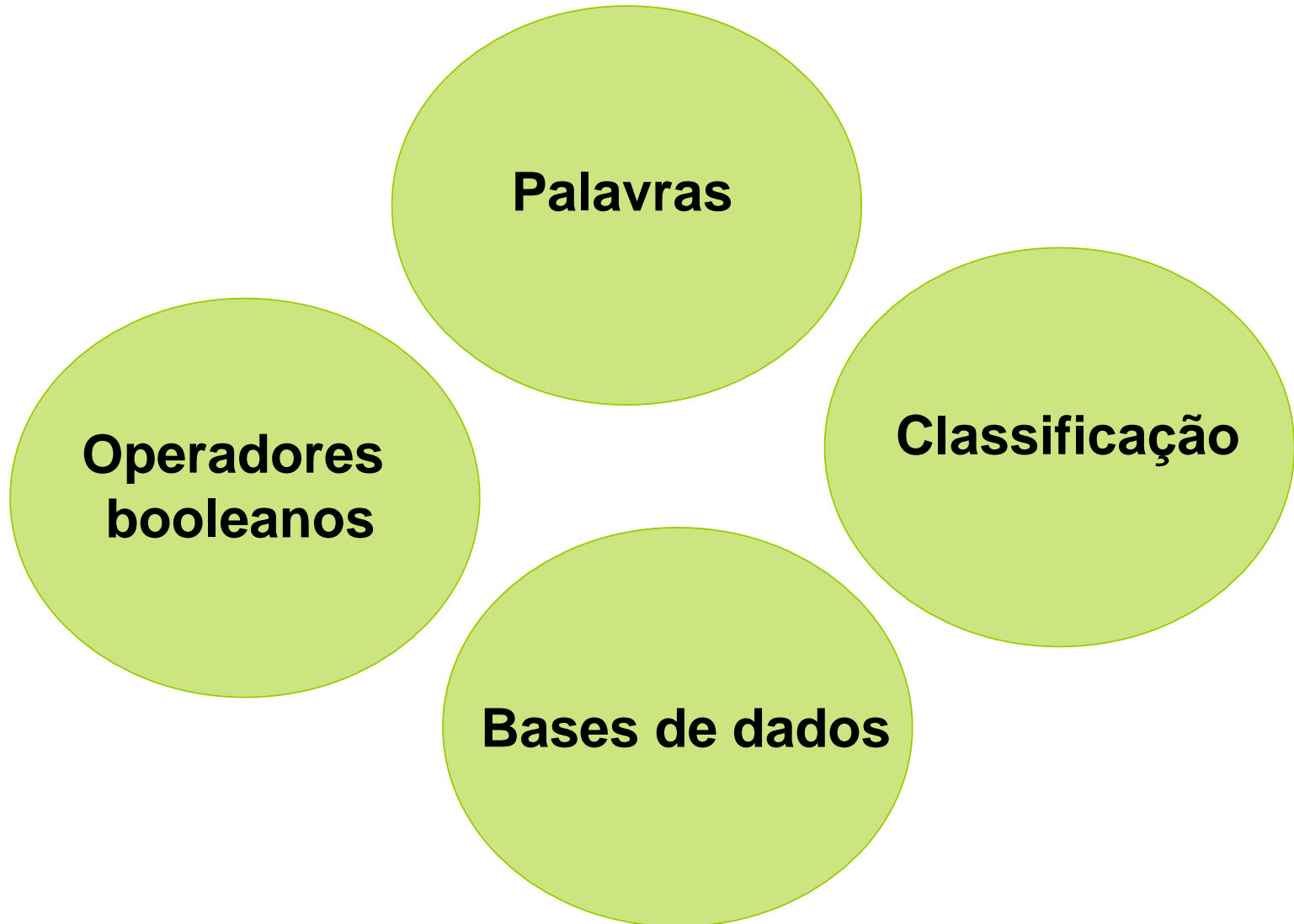
PESQUISA

INFORMAÇÃO TECNOLÓGICA

Portalegre | 26.04.2017

1. Palavras
2. Classificação
3. Operadores Booleanos
4. Bases de dados
 - a. ESP@CENET
 - b. IPDL – Japão
 - c. USPTO
 - d. WIPO





Palavras

Em propriedade Industrial a protecção é definida por palavras.



- Escolha de palavras chave
- Características técnicas: Quais são as características técnicas específicas?
- Possíveis sinónimos

! Os requerentes/inventores não utilizam uma linguagem comum.

A língua mais utilizada em pesquisas de patente é o inglês (90% dos pedidos têm o resumo em inglês).

- Âmbito da protecção
- Implicações jurídicas
- O objetivo do pedido (esconder dos concorrentes)

Exemplos:

Hole = aperture opening orifice perforation

Container = holder receptacle vessel

Pipe = channel conduit duct leader line penstock trough tube

Pen = writing instrument

Ball bearing = a plurality of balls

Toy ball = spherical object with floppy filaments to promote sure capture

LED (light-emitting diode) = photo-transmitting device

“Weighing system with correction arrangement for geographical gravitation differences using GPS (Global Positioning System)”

- **Característica técnica 1 = Correction of Weighing Systems**
- **Característica técnica 2 = Correction of gravitation**
- **Característica técnica 3 = GPS**
- **Área técnica = measuring**

Classificação

- **IPC - Classificação Internacional de Patentes**
- **USC - Classificação Americana**
- **Classificação Japonesa - FI E FT**

•IPC - Classificação Internacional de Patentes



Sistema de classificação de matéria técnico – patentes.

Sistema hierárquico de classificação de patentes e modelos de utilidade de acordo com as diferentes áreas da tecnologia a que pertencem.



Acordo de Estrasburgo de 1971

Similar aos sistemas de classificação de biblioteca.

<http://www.wipo.int/classifications/ipc/en/>



INTERNATIONAL PATENT CLASSIFICATION (IPC)

Browse the IPC

- Overview
- About the IPC
- IPC Green Inventory
- Download and IT Support
- IPC E-Forum
- Meetings
- FAQ
- Contact

RELATED LINKS

PATENTSCOPE
Other Classifications
WIPO Standards and Handbook

International Patent Classification (IPC)

[Browse and Search the Current IPC or Earlier Versions](#)

- The International Patent Classification (IPC), established by the [Strasbourg Agreement 1971](#), provides for a hierarchical system of language independent symbols for the classification of patents and utility models according to the different areas of technology to which they pertain.
- WIPO launched on September 16, 2010, an [on-line tool](#) associated with the International Patent Classification (IPC) that will facilitate searches for patent information relating to so-called Environmentally Sound Technologies (ESTs) to help in identifying existing and emerging green technologies and potential partners for further R&D and commercial exploitation.

GENERAL INFORMATION

- [About the IPC](#)
- [IPC Simplification](#)
- [Frequently Asked Questions \(FAQ\)](#)

RESOURCES FOR IPC COMMUNITY

- [IPC E-Forum](#)
- [Meetings, Circulars](#)
- [Download and IT support](#)
- [Revision & Reclassification](#)
- [Training](#)

IPC TOOLS

- [IPCCAT](#): automated classification - text categorization in the IPC
- [RIPCIS](#): IPC revision support (restricted access)

IPC NEWS:

[\[More news\]](#) [\[IT-related news\]](#)

- [IPC/WG/30 \(November 4 to 8, 2013\): Invitation and Draft Agenda now available](#) (Sep 2, 2013)
- [IPC/WG/29 \(May 13 to 17, 2013\): document IPC/WG/29/2 \(Report\) and presentation available](#) (Jul 4, 2013)
- [Next version of the IPC \(IPC 2014.01\) enters into force on January 1, 2014.](#) (Jul 1, 2013)
- [IPC Training Examples \(2013.01\)](#) (Apr 12, 2013)
- [Guide to the IPC \(version 2013\) and updated Guidelines for Revision of the IPC now available](#) (Apr 9, 2013)



Version

2013.01

Current symbol

Go to

Language

- English
- French
- English/French

View mode

- path
- full
- hierarchic

Standardized sequence

Deleted entries

Subclass indexes

Guidance Headings

Notes

Search

Terms

Cross-references

Assistance

Text categorization
(IPCCAT)

Scheme

RCL

Compilation

Catchwords

Corrigendum

	A	SECTION A — HUMAN NECESSITIES
	B	SECTION B — PERFORMING OPERATIONS; TRANSPORTING
	C	SECTION C — CHEMISTRY; METALLURGY
	D	SECTION D — TEXTILES; PAPER
	E	SECTION E — FIXED CONSTRUCTIONS
	F	SECTION F — MECHANICAL ENGINEERING; LIGHTING; HEATING; WEAPONS; BLASTING
	G	SECTION G — PHYSICS
	H	SECTION H — ELECTRICITY

<http://web2.wipo.int/ipcpub/#refresh=page>

- Conjunto de símbolos e códigos (~ 70000)

A23G 9/00

Frozen sweets, e.g. ice confectionery, ice-cream; Mixtures therefor [2]

A23G 9/04

• Production of frozen sweets, e.g. ice-cream (packages B65D 85/78) [2]

A23G 9/06

• • characterised by using carbon dioxide or carbon dioxide snow as cooling medium [2]

↑
Título / Definição

A23G 9/04

A Secção (A, B, ... H)

A23 Classe (2 dígitos)

A23G Subclasse (letra)

A23G **9/04** Grupo

↖
Grupo principal /

↗
Subgrupo

~ 60 000 documentos

H	SECTION H — ELECTRICITY
H01	BASIC ELECTRIC ELEMENTS
H01F	MAGNETS; INDUCTANCES; TRANSFORMERS; SELECTION OF MATERIALS FOR THEIR MAGNETIC PROPERTIES (ceramics based on ferrites C04B 35/26 ; alloys C22C ; thermomagnetic devices H01L 37/00 ; loudspeakers, microphones, gramophone pick-ups or like acoustic electromechanical transducers H04R)
H01F 1/00	Magnets or magnetic bodies characterised by the magnetic materials therefor; Selection of materials for their magnetic properties (thin magnetic films characterised by their composition H01F 10/10)
H01F 1/01	• of inorganic materials (H01F 1/44 takes precedence). [6]
H01F 1/03	• • characterised by their composition
H01F 1/032	• • • of hard-magnetic materials
H01F 1/04	• • • • metals
H01F 1/047	• • • • • Alloys characterised by their composition
H01F 1/053	• • • • • containing rare earth metals [3,6]
H01F 1/055	• • • • • and magnetic transition metals, e.g. SmCo_5 [6]
H01F 1/057	• • • • • and IIIa elements, e.g. $\text{Nd}_2\text{Fe}_{14}\text{B}$ [6]
H01F 1/058	• • • • • and IVa elements, e.g. $\text{Gd}_2\text{Fe}_{14}\text{C}$ [6]
H01F 1/059	• • • • • and Va elements, e.g. $\text{Sm}_2\text{Fe}_{17}\text{N}_2$ [6]

Secção

Classe

Subclasse

Grupo Principal

Subgrupo

Um ponto para cada subdivisão

803 docs

5 284 docs

Search

Terms

Cross-references

Assistance

Text categorization
(IPCCAT)

<https://www3.wipo.int/ipccat/>

WIPO



IPCCAT - Categorization Assistant in the International Patent Classification (version 2011.01)

IPCCAT:

Help
About IPCCAT

GATEWAY TO:

IPC
TACSY

Last update: 201101

This is a categorization assistance tool for the International Patent Classification system. It is mainly designed to help to classify patents at IPC class, subclass or main group level.

Classification Request Form

Choose the document to categorize:

Procurar

Supported formats

Or paste in the text below a quote from the document to categorize:

Provided is a flush tank device capable of satisfactorily cleaning a toilet bowl. The flush tank device (10) is equipped with a tank body (20) which stores flushing water that cleans a toilet bowl body (1), a water supply device (30) which supplies flushing water to the interior of the tank body (20), and an air suction device (40) which sucks air from the interior of a toilet bowl water drainage duct (3). The air suction device (40) is equipped with an air suction chamber (41) which is formed by partitioning the interior of the tank body (20) and extends in a vertical direction, and the lower end of which opens into the interior of the tank body (20); an air suction opening (47A) which

Number of predictions:

Classification level:

Classify

Suggested IPC Categories

Confidence	IPC	Description	Refine
★★★★★	E03D		▶▶
★	E03F		▶▶

CLASSIFICAÇÃO IPC – CATCHWORDS



IP SERVICES

International Patent Classification (IPC) Official Publication

WORLD INTELLECTUAL PROPERTY ORGANIZATION

IPC Home Page - Help

Scheme

RCL

Compilation

Catchwords

Corrigendum

Version

2013.01

Current word

Go

Language

English

French

Previous

Next

Index

Search

Terms

Cross-references

Last modified: 2013.06.28

Prepared with IPCPUBPREP
v 3.3

A

ABACUSES	-	ADHESION
ADHESIVE(S)	-	ALKALI METALS
ALKALINE EARTH METALS	-	ANEMOMETERS
ANEROID	-	ANTI-TOXINS
ANVILS	-	ASPIRATOR
ASSEMBLIES	-	AWNS
AXES	-	AZOXY

B

BABIES	-	BARIUM
BARK	-	BEAUTY
BECKMANN	-	BISMUTH
BISULFITES	-	BOLT(S)
BOMBS	-	BRASSIERES
BRAZIER(S)	-	BUILDING(S)
BULBS	-	BUZZERS

C

CABINET(S)	-	CANDIES
CANDLE(S)	-	CARCASES, CARCASSES

A61B 5/00 Measuring for diagnostic purposes



G01 Measuring

B60G Brakes in vehicles



F16D Brakes in general

Bases de dados

INTERNET:

- **ESP@CENET (38 Estados-membro EPC)**
- **USPTO (E.U.A.)**
- **GOOGLE (*Google Patents*)**
- **WIPO (Mundial)**
- **OEPM (Espanhol)**
- **INPI**
- **EBI (sequências genéticas)**
- **Bases de dados NPL (*non-Patent Literature*)**

80 milhões de documentos
de pedidos de patentes e
patentes concedidas

Base de dados
mundial do EPO

Documentos
desde 1836 até
ao presente



Totalmente gratuita!

Documentos
provenientes de
mais de 90 *offices*
nacionais

Fonte de informações
técnicas de inúmeras
áreas científicas

Fonte de informações
quanto ao estado
jurídico

<http://worldwide.espacenet.com/>



United States Patent and Trademark Office
An Agency of the Department of Commerce

Patent Full-Text Databases

PatFT: Patents

Full-Text from 1976

[Quick Search](#)
[Advanced Search](#)
[Number Search](#)

[View Full-Page Images](#)

[PatFT Help Files](#)
[PatFT Status, History](#)
[PatFT Database Contents](#)

[Report Problems](#)

<< BOTH SYSTEMS >>

The databases are operating normally.

[Notices & Policies](#)

[How to View Images](#)

[Assignment Database](#)

[Public PAIR](#)

[Searching by Class](#)

[Sequence Listings](#)

[Attorneys and Agents](#)

AppFT: Applications

Published since March 2001

[Quick Search](#)
[Advanced Search](#)
[Number Search](#)

[View Full-Page Images](#)

[AppFT Help Files](#)
[AppFT Status, History](#)

[Report Problems](#)

<http://patft.uspto.gov/>



PATENTSCOPE

Mobile | Deutsch | Español | Français | 日本語 | 한국어 | Português | Русский | 中文 |

Search International and National Patent Collections

WORLD INTELLECTUAL PROPERTY ORGANIZATION

Search | Browse | Translate | Options | News | Login | Help

Home > IP Services > PATENTSCOPE

Simple Search

Using PATENTSCOPE you can search 30 million patent documents including 2.2 million published international patent applications (PCT). Detailed coverage information can be found here (->)

Front Page

- Front Page
- Any Field
- Full Text
- English Text
- ID/Number
- Int. Classification(IPC)
- Names
- Dates

ahrain, Egypt and the United Arab Emirates now available

Office: All

Search

The entered value is searched against the Title, Abstract, Numbers and Names.

- ◀ "electric car"~50
- ◀ Smith or Klein
- ◀ WO2010000001
- ◀ EP2012001709
- ◀ "sol* panel"~5
- ◀ elect?icit?
- ◀ electric^10 and car^3

<http://patentscope.wipo.int/search/en/search.jsf>

The screenshot displays the WIPO PATENTSCOPE website interface. At the top, the WIPO logo is on the left, and the text 'PATENTSCOPE' is in the center. Below this, it says 'Search International and National Patent Collections'. A navigation bar contains links for 'Search', 'Browse', 'Translate', 'Options', 'News', 'Login', and 'Help'. The breadcrumb trail reads 'Home > IP Services > PATENTSCOPE'. The 'Advanced Search' link is highlighted with a red circle. The main search area includes a 'Search For:' text box, a 'Language:' dropdown set to 'English', a 'Stem:' checkbox which is checked, and an 'Office:' dropdown set to 'All'. Below these are several categories of checkboxes for selecting patent collections: 'All' (checked), 'PCT', 'Africa' (with sub-options for ARIPO, Egypt, Kenya, Morocco, South Africa), 'Americas' (with sub-options for United States of America, LATIPAT, and various countries like Argentina, Brazil, Chile, Colombia, Costa Rica, Cuba, Dominican Rep., Ecuador, El Salvador, Guatemala, Honduras, Mexico, Nicaragua, Panama, Peru, Uruguay), and 'Asia-Europe' (with sub-options for Bahrain, European Patent Office, Israel, Japan, Jordan, Russian Federation, Russian Federation (USSR data), Singapore, Spain, Republic of Korea, Viet Nam, and United Arab Emirates). At the bottom right of the search area are 'Search' and 'Reset' buttons. A 'Tooltip Help' link is located at the bottom left of the search area.



PATENTSCOPE

Search International and National Patent Collections

WORLD INTELLECTUAL PROPERTY ORGANIZATION

Search | Browse | Translate | Options | News | Login | Help

Home > IP Services > PATENTSCOPE

Field Combination

Fields

	Front Page	=	<input type="text"/>	?
AND	WIPO Publication Number	=	<input type="text"/>	?
AND	Application Number	=	<input type="text"/>	?
AND	Publication Date	=	<input type="text"/>	?
AND	English Title	=	<input type="text"/>	?
AND	English Abstract	=	<input type="text"/>	?
AND	Applicant Name	=	<input type="text"/>	?
AND	International Class	=	<input type="text"/>	?
AND	Inventor Name	=	<input type="text"/>	?
AND	Office Code	=	<input type="text"/>	?
AND	English Description	=	<input type="text"/>	?
AND	English Claims	=	<input type="text"/>	?
AND	Licensing availability	=	<input type="checkbox"/>	
AND	Inventor Name	Is Empty:	<input checked="" type="radio"/> N/A <input type="radio"/> Yes <input type="radio"/> No	

IPDL Industrial Property Digital Library

▶ INPIT Home Page ▶ JPC

The Industrial Property Digital Library (IPDL) offers the public access to IP Gazettes of the JPO free of charge through the internet.

- ➔ Patent & Utility Model
 - Patent & Utility Model Gazette DB
 - Patent & Utility Model Concordance
 - TF-term Search
 - PAJ
 - Patent Map Guidance
- ➔ Design
 - Design Gazette DB

Please enable Co

Searching PAJ

MENU NEWS HELP

Search Results : 201

Index Indication Clear

Text Search For 'Number Search', please click on the right button: Number Search

Applicant, Title of invention, Abstract --- e.g. computer semiconductor

Please input a SPACE between each keyword when you use more than one keyword.
One letter word or Stopwords are not searchable.

cancer AND
AND
vaccine AND
AND

[1-50/ 171] No. JUMP

Date of publication of application --- e.g. 19980401 - 19980405

IPC --- e.g. D01B7/04 A01C11/02

Please input a SPACE between each PC symbol, when you use more than one PC symbol.

MENU SEARCH NEXT

No.	Publication No.	Title
1.	2012 - 072087	CANCER PEPTIDE VACCINE THERAPY EFFECT IMPROVER
2.	2012 - 039877	UBIQUITIN FUSION GENE, AND DNA VACCINE USING THE SAME
3.	2011 - 256197	N-(1-(1-BENZYL-4-PHENYL-1H-IMDAZOL-2-YL)-2,2-DIMETHYLPROPYL)BENZAMIDE DERIVATIVE OF SPINDLE PROTEIN (KSP) INHIBITOR FOR TREATMENT OF CANCER
4.	2011 - 254830	POLYNUCLEOTIDE RELATED TO COLON CANCER
5.	2011 - 252006	CYTOKINE-EXPRESSING CELLULAR VACCINE COMBINATION
6.	2011 - 246496	PROTEIN BELONGING TO BCL-2 FAMILY AND FRAGMENT THEREOF, AND THE USE IN CANCER VACCINE
7.	2011 - 241222	CYTOTOXIC T CELL EPITOPE PEPTIDE SPECIFICALLY ATTACKING EPSTEIN-BARR VIRUS
8.	2011 - 239787	MULTIPLEX VACCINE
9.	2011 - 231111	WEANING AGENT FOR CANCER IMMUNOSUPPRESSION, COMPOSITION FOR CANCER IMMUNIZATION, AND CANCER VACCINE
10.	2011 - 225538	CANCER VACCINE
11.	2011 - 207832	NOVEL SELECTIVE SPLICING VARIANT OF OATP1B3 mRNA
12.	2011 - 188853	PHARMACEUTICALLY ACCEPTABLE SALT OF QUINOLINONE COMPOUND HAVING IMPROVED WATER SOLUBILITY
13.	2011 - 162563	COMBINATION THERAPY
14.	2011 - 137008	METHOD FOR TREATING CANCER EXPRESSING CD40 ANTIGEN
15.	2011 - 126900	CHIMPANZEE ADENOVIRUS VACCINE CARRIER
16.	2011 - 120588	

Operadores Booleanos

AND

Para pesquisar várias características

OR

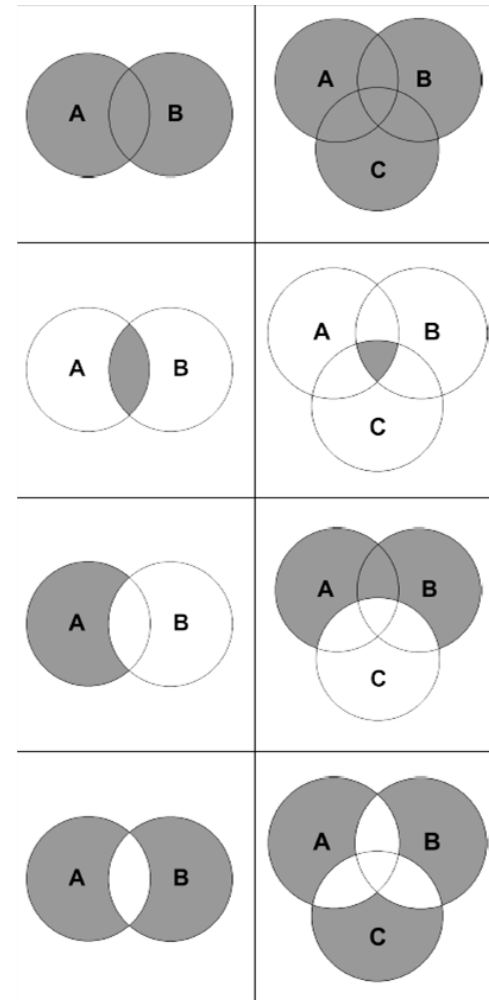
Para pesquisar sinónimos ou termos relacionados

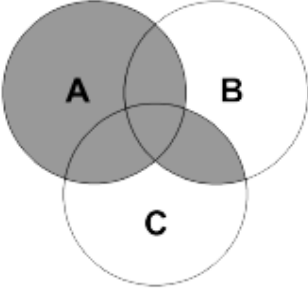
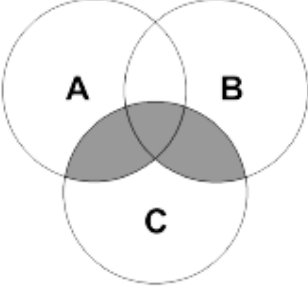
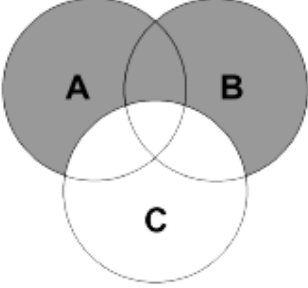
NOT

Para excluir significados de termos que não são relevantes para a pesquisa

XOR

Para pesquisar um termo ou outro mas nunca os dois juntos



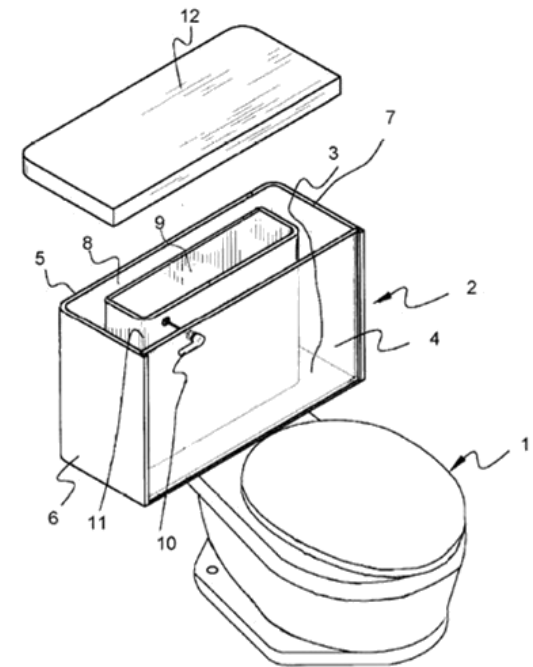
<p>A OR B AND C</p>	
<p>(A OR B) AND C</p>	
<p>(A OR B) AND NOT C</p>	

Toilet flushing device

The present application relates to a **toilet flushing device** that besides fulfilling its customary function also has an **improved aesthetic appeal** and an additional functionality.

As shown in the single figure, the toilet flushing device of the present invention consists of a **water cistern** (2) that is **mounted on a toilet bowl** (1) and has a **smaller reservoir** (9) **inside the cistern**.

The water cistern is defined by a **bottom** (3), a **back** (5), a **front** (4) and a **pair of sides** (6, 7). The **reservoir**, which contains the water for flushing, is operatively **coupled to the toilet bowl** (1) and includes a **flushing assembly** that is **actuated by a handle** (10) located on the front (4) of the water cistern (2). The part of the cavity (8) of the water cistern that is not occupied by the reservoir is also filled with water and hosts a variety of aquatic animals and plants. In order to avoid the living creatures being drawn away by flushing, the **water cistern** and the reservoir are **water-tight** and completely **separated from each other**. Also, the front and the side walls of the water cistern are made of plexiglass* or of another similar material in order for the aquatic creatures to be visible from the outside.



Reivindicações

A toilet flushing arrangement with a covering lid (12), the arrangement comprising a first water tank (2), the water tank having a back (5), a front (4), a pair of sides (6,7) and a bottom (3), characterised in that the toilet flushing arrangement includes a second water tank (9) located within the first water tank (2) and in that said front (4) and said pair of sides (6,7) are transparent.

Solução

Conceitos inventivos a pesquisar:

1. Toilet tank
2. Aquarium

As características técnicas reivindicadas:

- a first water tank
- a covering lid
- the 1st water tank has a back
- the 1st water tank has a front
- the 1st water tank has a pair of sides
- the 1st water tank has a bottom
- a second water tank
- the 2nd water tank is located within the first tank
- the front and the sides of the 1st tank are transparent



	Conceito inventivo 1	Conceito inventivo 2
	toilet tank	aquarium
Palavras chaves/Sinónimos	toilet tank, toilet cistern, reservoir, water closet, closet, WC, lavatory, ...	aquarium, transparent, glass, plexiglass, aquatic animal & plants, show-case ...
Classificação	E03D1/01	A01K63/00A

Classificação Europeia:

E03D1/00 Water flushing devices with cisterns; [N: Setting up a range of flushing devices or water-closets; Combinations of several flushing devices]

E03D1/00B [N: Cisterns in combination with wash-basins, urinals, or the like (domestic plumbing installations E03C)]

E03D1/00C [N: Realizations of and provisions for preventing "sweating" of cisterns]

E03D1/01 Shape or selection of material for flushing cisterns

A01K63/00A [N: Aquaria; Terraria (A01K63/04, A01K63/06 take precedence)]

Classificação Internacional:

E03D 1/00 Water flushing devices with cisterns

A01K 63/00 Receptacles for live fish, e.g. aquaria

Documentos que definem o estado da técnica:

US5 983 411

US4 450 596

US2007277301

US2005039255

GB2 228 021

OBRIGADO PELA
VOSSA ATENÇÃO!



OS NOSSOS CONTACTOS

INSTITUTO NACIONAL DA PROPRIEDADE INDUSTRIAL

Campo das Cebolas 1149-035 Lisboa

Linha de informações: 808 200 689 / Site: www.inpi.pt

Tel: (+351) 218 818 100 / Fax: (+351) 218 869 859

OS MEUS CONTACTOS

DEPARTAMENTO DE PATENTES E MODELOS DE UTILIDADE

[nome do examinador]

Tel.: (+351) 21 881 81 00 / Email: [mail do examinador]@inpi.pt